



DEWEI CARBIDE

球齿钻头、潜孔钻头用
硬质合金齿

Carbide Buttons

For DTH drill bits and button bits



浙江德威硬质合金制造有限公司
ZHEJIANG DEWEI CEMENTED CARBIDE MANUFACTURING CO.,LTD

以**真诚**连结客户，以**创新**架构未来

Contacting customers with sincerity, and creating the future by innovation

浙江德威，坐落于“中华全国建工基地”之称的乐清市芙蓉镇，依山傍海，风景秀丽，距离甬台高速雁荡山出口仅十公里，离温州机场 80 公里，货物到达宁波港仅两个多小时，交通便利。

本公司设计、开发、制造的硬质合金及其成品工具以优良的品质、合理的价格和优质的售后服务深得国内外客户的赞赏。公司已按照 ISO9001 质量保证模式建立了质量体系。其硬质合金制品以国际上先进的低压烧结技术、成熟的热处理工艺保障，能够为客户提供满意的优质产品。

德威公司秉承“以真诚连结客户，以创新架构未来”的企业宗旨，把人才战略放在首位，加强管理，不断提升产业层次，竭诚欢迎海内外新老客户惠顾。

Zhejiang Dewei is located in "China national hammer drill tool base" Furong Industrial Park, Yueqing city, near mountain and sea with beautiful scenery. There have convenient transport facilities, only 10KM away from Yandang exit Yong-Tai-Wen expressway, 80KM from Wenzhou Airport, and about 2 hours for delivering goods to Ningbo seaport.

By virtue of its high quality, reasonable price, and perfect aftersale service, the tungsten carbide products and finished tools designed, developed, and produced by the company have got high appreciation from clients home and abroad. The company has established a quality assurance system according to the ISO9001, and ensured by the internationally advanced HIP sintering technic and Heat Treatment technic. Its tungsten carbide products are of high quality to meet its clients' requirements.

The company, by virtue of its aim "Contacting customers with sincerity, and creating the future by innovation", is now focusing on enhancing management and industrial level. Setting an enterprise talents strategy has been given high throughout the management. We sincerely welcome the patronage of domestic and foreign customers.



尺寸公差标准 Tolerances

单位:mm

精品直径 Finished Diameter		毛坯直径 Blank Diameter		高度 Height	
精品尺寸 Standard	公差 Tolerance	精品尺寸 Standard	公差 Tolerance	精品尺寸 Standard	公差 Tolerance
0-10	± 0.003	0-10	+0.40 +0.20	0-10	± 0.10
10-25	± 0.004	10-25	+0.50 +0.20	10-25	± 0.15
25-30	± 0.005	15-25	+0.60 +0.20	15-25	± 0.20
		25-30	+0.65 +0.20	25-60	± 0.25

Carbide Grades

牌号 Grade	晶粒度 Grain Size	粘结相 Binder (%)	硬度 Hardness (HRA)	抗弯强度 TRS (Mpa)	密度 Density (g/cm ³)	牌号说明 Grade Description	应用领域 Application		
							凿岩杆具 Rock Drilling	截齿 Conical Bits	石油开采 Oil Exploitation
DK05	中 medium	6	90.5	2800	14.9-15.00	具有良好的耐磨性, 适用于各种规格的冲击钻、潜孔钻及三牙轮钻头。 Can be used for making compacts of various percussion, DTH bits and tricone bits for drilling medium hard formation.	●		
PDK20.1	中 medium	8	89.5	2800	14.65-14.80	具有良好的耐磨性, 适用于各种规格的冲击钻、潜孔钻及三牙轮钻头。 Can be used for making compacts of various percussion, DTH bits and tricone bits for drilling medium hard formation.	●		
DK30.3	中 medium	9	88.8	2800	14.55-14.70	适用于中韧性需求的采矿、石油开采作业, 主要用于牙轮钻头。 Can be used in mining applications where moderate toughness is required. Main application include compacts of tricone rock bits for oil and gas drilling.			●
DK30.4	粗 coarse	9	87.5	2800	14.55-14.70	具有良好的韧性和抗疲劳性能, 适用于采矿类截齿、三牙轮钻头用齿。 Can be used for bits of mining and tunnelling. It has excellent toughness and thermal fatigue property.	●		○
DK35.1	中 medium	10	88.3	2800	14.45-14.60	适用于中韧性需求的采矿、石油开采作业, 主要用于牙轮钻头。 Can be used in mining applications where moderate toughness is required. Main application include compacts of tricone rock bits for oil and gas drilling.			●
DK20	粗 coarse	10	87.5	2800	14.40-14.60	具有良好的韧性和抗疲劳性能, 适用于采矿类截齿、三牙轮钻头用齿。 Can be used for bits and shield cutter of mining and tunnelling. It has excellent toughness and thermal fatigue property.	●		○
PDK35.5	超粗 ultra coarse	10	86.6	2200	14.45-14.60	具有良好的韧性和抗疲劳性能, 适用于采矿、隧道类截齿和盾构刀头。 Can be used for bits and shield cutter of mining and tunnelling. It has excellent toughness and thermal fatigue property.	●	○	
DK40.1	中 medium	11	88.0	2800	14.35-14.50	适用于中韧性需求的采矿、石油开采作业, 主要用于牙轮钻头。 Can be used in mining applications where moderate toughness is required. Main application include compacts of tricone rock bits for oil and gas drilling.	●		○
DK40.2	粗 coarse	11	86.8	2800	14.35-14.50	具有良好的韧性和抗疲劳性能, 适用于采矿类截齿和盾构刀头。 Can be used for bits and shield cutter of mining and tunnelling. It has excellent toughness and thermal fatigue property.	●	○	

● 推荐牌号 Recommended Grade ○ 次选牌号: Second Selection Grade



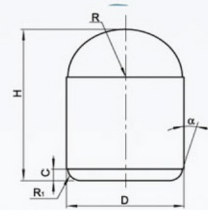
球齿钻头、潜孔钻头用硬质合金齿 Carbide Buttons for DTH drill bits and button bits

球型齿 Spherical Button

规格 Type	D		H	h	R	e	a
	精品尺寸 Finished Dimension	毛坯尺寸 Blank Dimension					
DQ10405	4.860	4.86 ^{+0.4} / _{+0.2}	5.10	0.95	3.6	0.75	15°
DQ10605	6.468	6.47 ^{+0.4} / _{+0.2}	5.25	0.70	7.7	1.25	15°
DQ10806	8.017	8.02 ^{+0.4} / _{+0.2}	6.75	1.40	6.4	1.25	15°
DQ10909	9.585	9.59 ^{+0.4} / _{+0.2}	9.53	3.36	5.1	1.50	18°
DQ11010	10.070	10.07 ^{+0.5} / _{+0.2}	10.20	3.15	5.6	1.50	15°
DQ11108	11.190	11.19 ^{+0.5} / _{+0.2}	10.05	1.42	11.7	1.25	15°
DQ11209	12.790	12.79 ^{+0.5} / _{+0.2}	9.20	20.5	10.0	1.25	15°
DQ11319	13.700	13.70 ^{+0.5} / _{+0.2}	19.35	5.56	7.0	2.00	15°
DQ11422	14.300	14.30 ^{+0.5} / _{+0.2}	22.35	5.70	7.3	2.00	15°
DQ11520	15.950	15.95 ^{+0.5} / _{+0.2}	20.85	7.20	8.0	1.25	15°
DQ11625	16.700	16.70 ^{+0.6} / _{+0.2}	25.40	6.55	8.6	2.00	15°
DQ11726	17.000	17.00 ^{+0.6} / _{+0.2}	26.00	6.52	8.8	2.00	18°
DQ11825	18.000	18.00 ^{+0.6} / _{+0.2}	25.00	7.29	9.2	2.00	18°
DQ11913	19.140	19.14 ^{+0.6} / _{+0.2}	13.23	3.25	16.4	1.90	15°
DQ12528	25.475	25.47 ^{+0.6} / _{+0.2}	28.37	10.59	13.0	1.90	15°

※注:可按客户要求生产

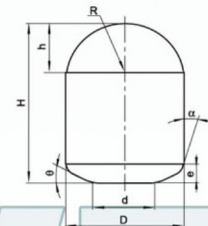
※ Note:Can be customized according to customer's requirements



规格 Type	D		H	h	R	e	a	q
	精品尺寸 Finished Dimension	毛坯尺寸 Blank Dimension						
DQ20810	8.030	8.030 ^{+0.4} / _{+0.2}	10.85	2.60	4.4	1.50	20°	20°
DQ20913	9.040	9.040 ^{+0.4} / _{+0.2}	13.00	3.40	4.7	1.80	20°	24°
DQ21013	10.045	10.045 ^{+0.4} / _{+0.2}	13.50	3.42	5.4	1.90	20°	24°
DQ21115	11.130	11.130 ^{+0.5} / _{+0.2}	15.50	4.50	5.7	2.15	25°	25°
DQ21216	12.045	12.045 ^{+0.5} / _{+0.2}	16.00	4.73	6.2	2.35	20°	24°
DQ21319	13.045	13.045 ^{+0.5} / _{+0.2}	19.00	5.17	6.7	2.45	20°	24°
DQ21420	14.050	14.050 ^{+0.5} / _{+0.2}	20.00	5.90	7.2	2.75	25°	20°
DQ21522	15.950	15.950 ^{+0.5} / _{+0.2}	22.25	5.76	8.4	2.65	15°	15°
DQ21623	16.150	16.150 ^{+0.6} / _{+0.2}	23.00	6.75	8.2	3.00	25°	20°
DQ21823	18.100	18.100 ^{+0.6} / _{+0.2}	23.00	7.55	9.2	3.30	25°	20°
DQ21925	19.070	19.070 ^{+0.6} / _{+0.2}	25.50	8.00	9.7	3.60	25°	20°
DQ22029	20.010	20.010 ^{+0.6} / _{+0.2}	29.00	8.20	10.3	3.70	25°	20°

※注:可按客户要求生产

※ Note:Can be customized according to customer's requirements



2 DEWEI CARBIDE

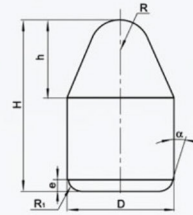
球齿钻头、潜孔钻头用硬质合金齿 Carbide Buttons for DTH drill bits and button bits

锥型齿 Conical Button

规格 Type	D		H	h	R	e	a
	精品尺寸 Finished Dimension	毛坯尺寸 Blank Dimension					
DZ10507	5.000	5.00 ^{+0.4} / _{-0.2}	7.20	3.80	0.5	0.50	45°
DZ10809	8.035	8.04 ^{+0.4} / _{-0.2}	9.40	40.05	2.9	1.25	15°
DZ10910	9.070	9.07 ^{+0.4} / _{-0.2}	10.50	4.00	4.3	1.00	15°
DZ11012	10.070	10.07 ^{+0.4} / _{-0.2}	12.90	5.30	4.0	1.30	15°
DZ11115	11.070	11.07 ^{+0.5} / _{-0.2}	15.50	5.50	4.5	1.30	15°
DZ11214	12.070	12.07 ^{+0.5} / _{-0.2}	14.50	6.00	5.3	1.30	15°
DZ11317	13.070	13.07 ^{+0.5} / _{-0.2}	17.10	6.75	4.4	1.30	15°
DZ11420	14.335	14.34 ^{+0.5} / _{-0.2}	20.60	9.50	4.3	1.25	15°
DZ11520	15.950	15.95 ^{+0.5} / _{-0.2}	20.30	9.20	6.6	1.25	15°
DZ11826	18.200	18.20 ^{+0.5} / _{-0.2}	26.50	10.70	2.0	1.00	45°
DZ11926	19.0125	19.13 ^{+0.6} / _{-0.2}	26.65	12.40	5.2	1.90	15°

※注:可按客户要求生产

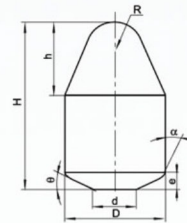
※ Note: Can be customized according to customer's requirements



规格 Type	D		H	h	R	e	a	q
	精品尺寸 Finished Dimension	毛坯尺寸 Blank Dimension						
DZ20710	7.020	7.02 ^{+0.4} / _{-0.2}	10.60	3.50	2.5	1.30	20°	20°
DZ20811	8.020	8.02 ^{+0.4} / _{-0.2}	11.50	4.05	3.0	1.50	20°	20°
DZ20912	9.020	9.02 ^{+0.4} / _{-0.2}	12.60	4.55	3.0	1.60	20°	20°
DZ21014	10.040	10.04 ^{+0.4} / _{-0.2}	14.25	6.15	2.0	1.87	21°	24°
DZ21117	11.040	11.04 ^{+0.5} / _{-0.2}	17.90	6.51	2.5	2.17	21°	24°
DZ21319	13.010	13.01 ^{+0.5} / _{-0.2}	19.90	8.00	4.0	1.95	25°	20°
DZ21522	15.010	15.01 ^{+0.5} / _{-0.2}	22.00	9.05	5.0	2.50	25°	20°
DZ22028	20.690	20.69 ^{+0.6} / _{-0.2}	28.25	10.92	7.9	3.30	15°	20°
DZ22342	23.925	23.93 ^{+0.6} / _{-0.2}	42.70	18.45	7.0	4.05	15°	20°
DZ22844	28.600	28.60 ^{+0.6} / _{-0.2}	44.40	22.25	7.6	4.05	15°	20°

※注:可按客户要求生产

※ Note: Can be customized according to customer's requirements



DEWEI

3 DEWEI CARBIDE

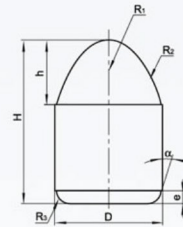
球齿钻头、潜孔钻头用硬质合金齿 Carbide Buttons for DTH drill bits and button bits

弹型齿 Ballistic Button

规格 Type	D		H	h	R ₁	R ₂	e	a
	精品尺寸 Finished Dimension	毛坯尺寸 Blank Dimension						
DD10916	9.100	9.10 ^{+0.4} / _{-0.2}	16.00	5.02	2.4	11.0	1.8	18°
DD11017	10.000	10.00 ^{+0.4} / _{-0.2}	17.00	5.50	3.0	12.0	1.8	18°
DD11119	1.000	11.00 ^{+0.5} / _{-0.2}	19.00	6.70	3.0	12.0	1.8	18°
DD11220	12.000	12.00 ^{+0.5} / _{-0.2}	20.00	7.00	3.2	13.0	1.8	18°
DD11321	13.000	13.00 ^{+0.5} / _{-0.2}	21.00	7.20	3.3	15.5	1.8	18°
DD11422	14.000	14.00 ^{+0.5} / _{-0.2}	22.00	7.70	3.5	16.7	1.8	18°
DD11625	16.000	16.00 ^{+0.6} / _{-0.2}	25.00	10.00	4.5	20.0	2.0	18°
DD11827	18.000	18.00 ^{+0.6} / _{-0.2}	27.00	10.50	6.5	28.0	2.0	18°
DD12228	21.500	21.50 ^{+0.6} / _{-0.2}	27.85	11.35	2.0	50.0	1.0	45°
DD12433	24.200	24.20 ^{+0.6} / _{-0.2}	33.00	13.50	2.5	50.0	1.0	45°
DD12635	26.500	26.50 ^{+0.6} / _{-0.2}	27.00	10.50	6.5	28.0	2.0	18°

※注:可按客户要求生产

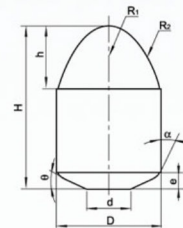
※ Note:Can be customized according to customer's requirements



规格 Type	D		H	h	R ₁	R ₂	e	a
	精品尺寸 Finished Dimension	毛坯尺寸 Blank Dimension						
DD20610	6.010	6.01 ^{+0.4} / _{-0.2}	10.20	3.40	1.8	4.0	20°	20°
DD20709	7.050	7.05 ^{+0.4} / _{-0.2}	9.80	3.90	1.9	8.5	25°	20°
DD20811	8.050	8.05 ^{+0.4} / _{-0.2}	11.10	4.45	2.2	9.8	25°	20°
DD20911	9.100	9.10 ^{+0.4} / _{-0.2}	11.45	5.00	2.4	11.0	25°	20°
DD21013	10.050	10.05 ^{+0.4} / _{-0.2}	13.50	5.50	3.0	12.0	25°	20°
DD21118	11.045	11.05 ^{+0.5} / _{-0.2}	18.00	6.80	3.0	12.0	21°	24°
DD21219	12.010	12.01 ^{+0.5} / _{-0.2}	19.00	7.00	3.2	13.0	25°	20°
DD21320	13.010	13.01 ^{+0.5} / _{-0.2}	20.00	7.20	3.3	15.5	25°	20°
DD21422	14.010	14.01 ^{+0.5} / _{-0.2}	22.00	7.70	3.5	16.7	25°	20°
DD21626	16.010	16.01 ^{+0.6} / _{-0.2}	26.00	11.00	4.7	44.5	25°	20°

※注:可按客户要求生产

※ Note:Can be customized according to customer's requirements



DEWEI

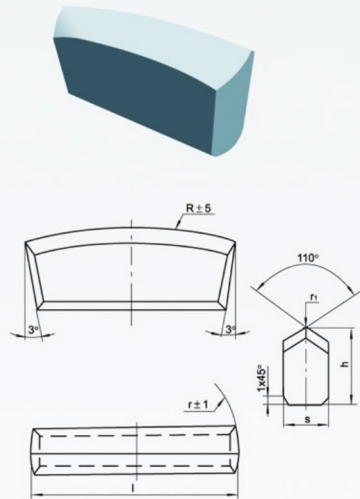
4 DEWEI CARBIDE

球齿钻头、潜孔钻头用硬质合金齿 Carbide Buttons for DTH drill bits and button bits

规格 Type	尺寸 Dimension(mm)							
	l	h	s	R	a	b	r	e
K020	20.0	15.0	7.0	180.0			3°	
K022	22.0	15.0	7.0	180.0			3°	
K024	24.0	15.0	7.0	180.0			3°	
K024B	24.0	14.0	7.0	180.0			3°	
K026	26.0	18.0	8.0	180.0			3°	
K028	28.0	16.0	8.0	180.0			3°	
K028B	28.0	18.0	8.0	180.0			3°	
K030	30.0	14.0	8.0	180.0			3°	
K032	30.0	18.0	8.0	180.0			3°	40°
K032B	32.0	14.5	8.0	180.0			3°	
K032B1	32.0	13.0	9.0	180.0			3°	
K033	32.0	18.0	7.5	180.0			3°	
K034	33.0	18.0	9.2	180.0			3°	
K034B	34.0	15.0	10.0	180.0			3°	
K036	34.0	18.0	9.0	180.0			3°	
K036B	36.0	15.0	10.0	180.0			3°	
K038	38.0	18.0	9.0	180.0			3°	
K038B	38.0	15.0	10.0	180.0			3°	
K040	40.0	18.0	10.0	180.0			3°	
K040B	40.0	15.0	10.0	180.0			3°	
K042	42.0	18.0	10.0	180.0			3°	80°
K042B	42.0	15.0	10.0	180.0			3°	
K044	44.0	18.0	10.0	180.0			3°	
K044B	44.0	15.0	10.0	180.0			3°	

※注:可按客户要求生产

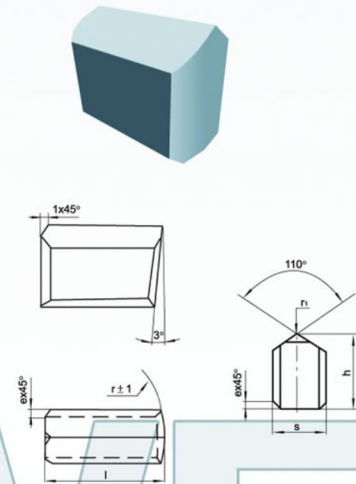
※ Note: Can be customized according to customer's requirements



规格 Type	尺寸 Dimension(mm)					
	l	h	s	r	r1	e
K2012	12.0	12.0	8.0	16.0	0.5-1.0	1.0
K2013	13.0	12.0	8.0	16.0	0.5-1.0	1.0
K2014	14.0	12.0	8.0	17.0	0.5-1.0	1.0
K2015	15.0	12.0	8.0	20.0	0.5-1.0	1.0
K2017	17.0	14.0	8.0	20.0	0.5-1.0	1.0
K2019	19.0	14.0	8.0	22.0	0.5-1.0	1.0
K2020	20.0	16.0	10.0	23.0	0.5-1.0	1.5
K2020A	20.0	18.0	10.0	23.0	0.5-1.0	1.5
K2022	22.0	16.0	10.0	25.0	0.5-1.0	1.5
K2024	24.0	16.0	10.0	27.0	0.5-1.0	1.5
K2026	26.0	16.0	10.0	29.0	0.5-1.0	1.5
K2028	28.0	16.0	10.0	31.0	0.5-1.0	1.5
K2030	30.0	18.0	12.0	35.0	0.5-1.0	1.5
K2032	32.0	18.0	12.0	38.0	0.5-1.0	2.0
K2035	35.0	20.0	15.0	45.0	0.5-1.0	2.0
K2041	41.0	22.0	17.0	51.0	0.5-1.0	2.0
K2045	45.0	25.0	19.0	57.5	0.5-1.0	2.0
K2053	53.0	25.0	20.0	59.0	0.5-1.0	2.0

※注:可按客户要求生产

※ Note: Can be customized according to customer's requirements



DEWEI



浙江德威硬质合金制造有限公司

ZHEJIANG DEWEI CEMENTED CARBIDE MANUFACTURING CO.,LTD

地址:中国·浙江·乐清市芙蓉工业区

Add:Furong Industrial Park,Yueqing,Zhejiang,China

电话 (Tel):0086-577-62298508 62298502 62298577

传真 (Fax):0086-577-62298505

邮编 (P.C):325612

Http://www.cn-dewei.com