



DEWEI CARBIDE

牙轮钻头用
硬质合金齿

Carbide Buttons

For Tri-cone Bits



浙江德威硬质合金制造有限公司

ZHEJIANG DEWEI CEMENTED CARBIDE MANUFACTURING CO.,LTD

以真诚连结客户，以创新架构未来

Contacting customers with sincerity, and creating the future by innovation

浙江德威，坐落于“中华全国建工基地”之称的乐清市芙蓉镇，依山傍海，风景秀丽，距离甬台高速雁荡山出口仅十公里，离温州机场 80 公里，货物到达宁波港仅两个多小时，交通便利。

本公司设计、开发、制造的硬质合金及其成品工具以优良的品质、合理的价格和优质的售后服务深得国内外客户的赞赏。公司已按照 ISO9001 质量保证模式建立了质量体系。其硬质合金制品以国际上先进的低压烧结技术、成熟的热处理工艺保障，能够为客户提供满意的优质产品。

德威公司秉承“以真诚连结客户，以创新架构未来”的企业宗旨，把人才战略放在首位，加强管理，不断提升产业层次，竭诚欢迎海内外新老客户惠顾。

Zhejiang Dewei is located in "China national hammer drill tool base" Furong Industrial Park, Yueqing city, near mountain and sea with beautiful scenery. There have convenient transport facilities, only 10KM away from Yandang exit Yong-Tai-Wen expressway, 80KM from Wenzhou Airport, and about 2 hours for delivering goods to Ningbo seaport.

By virtue of its high quality, reasonable price, and perfect aftersale service, the tungsten carbide products and finished tools designed, developed, and produced by the company have got high appreciation from clients home and abroad. The company has established a quality assurance system according to the ISO9001, and ensured by the internationally advanced HIP sintering technic and Heat Treatment technic, its tungsten carbide products are of high quality to meet its clients' requirements.

The company, by virtue of its aim "Contacting customers with sincerity, and creating the future by innovation", is now focusing on enhancing management and industrial level. Setting an enterprise talents strategy has been given high throughout the management. We sincerely welcome the patronage of domestic and foreign customers.

Carbide Grades

牌号 Grade	晶粒度 Grain Size	粘结相 Binder (%)	硬度 Hardness (HRA)	抗弯强度 TRS (Mpa)	密度 Density (g/cm)	牌号说明 Grade Description	应用领域 Application		
							凿岩钎具 Rock Drilling	截齿 Conical Bits	石油开采 Oil Exploitation
DK30.3	中 medium	9	88.8	2800	14.55-14.70	适用于中韧性需求的采矿，石油开采作业，主要用于牙轮钻头。 Can be used in mining applications where moderate toughness is required. Main application include compacts of tricone rock bits for oil and gas drilling.			●
DK30.4	粗 coarse	9	87.5	2800	14.55-14.70	具有良好的韧性和抗疲劳性能，适用于采矿类截齿、三牙轮钻头用齿。 Can be used for bits of mining and tunnelling. It has excellent toughness and thermal fatigue property.	●		○
DK35.1	中 medium	10	88.3	2800	14.45-14.60	适用于中韧性需求的采矿，石油开采作业，主要用于牙轮钻头。 Can be used in mining applications where moderate toughness is required. Main application include compacts of tricone rock bits for oil and gas drilling.			●
DK20	粗 coarse	10	87.5	2800	14.40-14.60	具有良好的韧性和抗疲劳性能，适用于采矿类截齿、三牙轮钻头用齿。 Can be used for bits of mining and tunnelling. It has excellent toughness and thermal fatigue property.	●		○
DK40.1	中 medium	11	88.0	2800	14.35-14.50	适用于中韧性需求的采矿，石油开采作业，主要用于牙轮钻头。 Can be used in mining applications where moderate toughness is required. Main application include compacts of tricone rock bits for oil and gas drilling.	●		○

● 推荐牌号 Recommended Grade ○ 次选牌号: Second Selection Grade



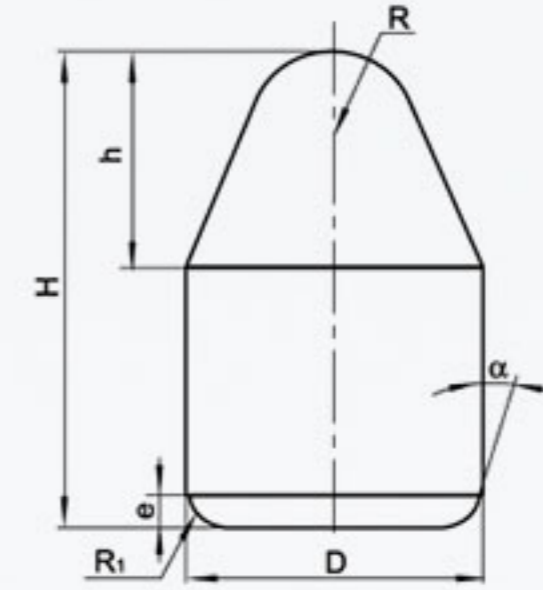
牙轮钻头用硬质合金齿 Carbide Buttons for Tri-cone Bits

锥型齿 Conical Button

规格 Type	D		H	h	R	e	a
	精品尺寸 Finished Dimension	毛坯尺寸 Blank Dimension					
DZ10507	5.000	5.00 ^{+0.4} / _{+0.2}	7.20	3.80	0.5	0.50	45°
DZ10809	8.035	8.04 ^{+0.4} / _{+0.2}	9.40	40.05	2.9	1.25	15°
DZ10910	9.070	9.07 ^{+0.4} / _{+0.2}	10.50	4.00	4.3	1.00	15°
DZ11012	10.070	10.07 ^{+0.4} / _{+0.2}	12.90	5.30	4.0	1.30	15°
DZ11115	11.070	11.07 ^{+0.5} / _{+0.2}	15.50	5.50	4.5	1.30	15°
DZ11214	12.070	12.07 ^{+0.5} / _{+0.2}	14.50	6.00	5.3	1.30	15°
DZ11317	13.070	13.07 ^{+0.5} / _{+0.2}	17.10	6.75	4.4	1.30	15°
DZ11420	14.335	14.34 ^{+0.5} / _{+0.2}	20.60	9.50	4.3	1.25	15°
DZ11520	15.950	15.95 ^{+0.5} / _{+0.2}	20.30	9.20	6.6	1.25	15°
DZ11826	18.200	18.20 ^{+0.5} / _{+0.2}	26.50	10.70	2.0	1.00	45°
DZ11926	19.0125	19.13 ^{+0.6} / _{+0.2}	26.65	12.40	5.2	1.90	15°

※注:可按客户要求生产

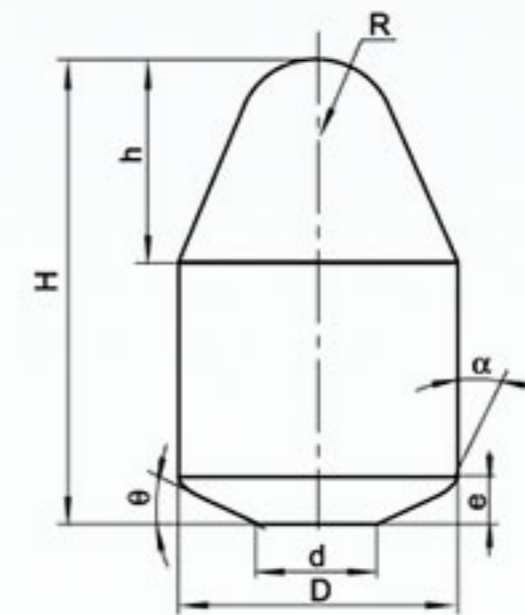
※ Note:Can be customized according to customer's requirements



规格 Type	D		H	h	R	e	a	q
	精品尺寸 Finished Dimension	毛坯尺寸 Blank Dimension						
DZ20710	7.020	7.02 ^{+0.4} / _{+0.2}	10.60	3.50	2.5	1.30	20°	20°
DZ20811	8.020	8.02 ^{+0.4} / _{+0.2}	11.50	4.05	3.0	1.50	20°	20°
DZ20912	9.020	9.02 ^{+0.4} / _{+0.2}	12.60	4.55	3.0	1.60	20°	20°
DZ21014	10.040	10.04 ^{+0.4} / _{+0.2}	14.25	6.15	2.0	1.87	21°	24°
DZ21117	11.040	11.04 ^{+0.5} / _{+0.2}	17.90	6.51	2.5	2.17	21°	24°
DZ21319	13.010	13.01 ^{+0.5} / _{+0.2}	19.90	8.00	4.0	1.95	25°	20°
DZ21522	15.010	15.01 ^{+0.5} / _{+0.2}	22.00	9.05	5.0	2.50	25°	20°
DZ22028	20.690	20.69 ^{+0.6} / _{+0.2}	28.25	10.92	7.9	3.30	15°	20°
DZ22342	23.925	23.93 ^{+0.6} / _{+0.2}	42.70	18.45	7.0	4.05	15°	20°
DZ22844	28.600	28.60 ^{+0.6} / _{+0.2}	44.40	22.25	7.6	4.05	15°	20°

※注:可按客户要求生产

※ Note:Can be customized according to customer's requirements



2 DEWEI CARBIDE

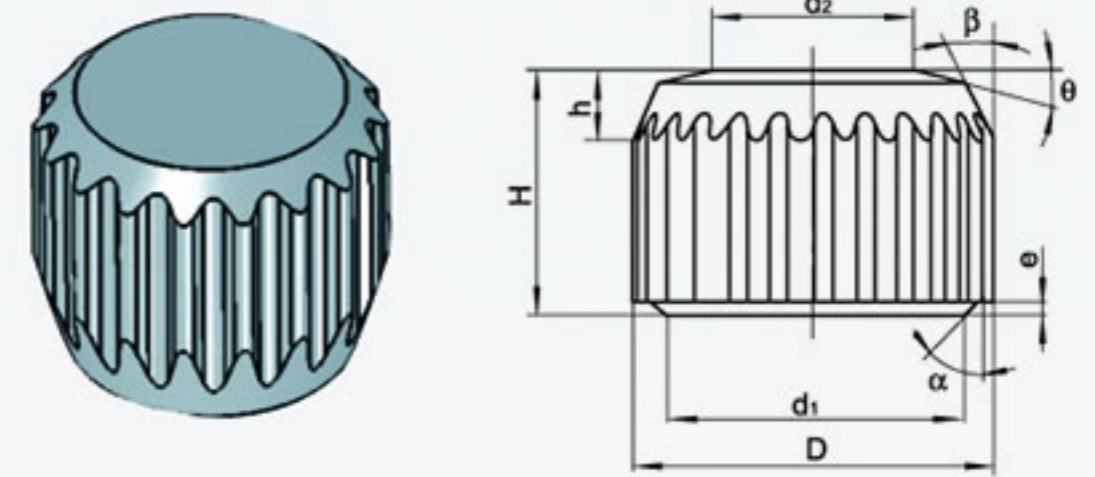
牙轮钻头用硬质合金齿 Carbide Buttons for Tri-cone Bits

锯型齿 Serrated Button

规格 Type	D	H	h	d ₁	d ₂	a	b	q
JXC30606	6.55	6.05	1.15	4.80	2.55	45°	25°	15°
JXC30807	8.17	7.45	1.90	6.10	3.80	45°	25°	15°
JXC30908	9.75	8.03	1.90	7.37	5.30	45°	25°	15°
JXC31208	12.95	8.85	2.55	10.87	7.15	45°	25°	15°
JXC31409	14.95	9.53	3.60	12.70	7.15	45°	25°	15°

※注:可按客户要求生产

※ Note:Can be customized according to customer's requirements

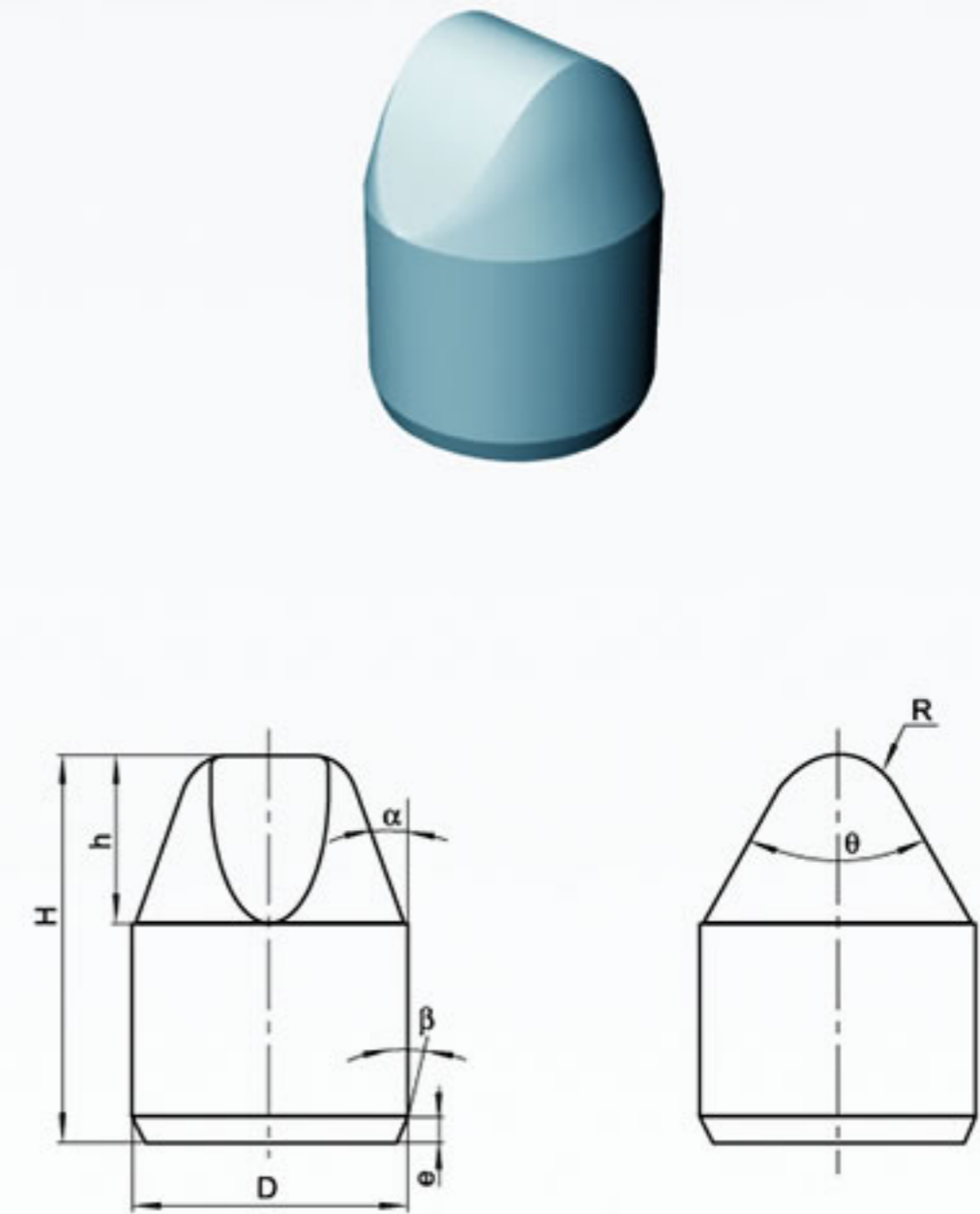


楔型齿 Crested Chisel Button

规格 Type	D		H	h	a	q	R	b
	精品尺寸 Finished Dimension	毛坯尺寸 Blank Dimension						
DX10607	6.430	6.43 ^{+0.4} / _{+0.2}	7.50	3.00	22°	80°	1.5	22°
DX10810	8.035	8.04 ^{+0.4} / _{+0.2}	10.55	5.23	25°	59°	2.0	15°
DX10912	9.635	9.64 ^{+0.4} / _{+0.2}	12.70	6.35	19.5°	63.5°	1.9	15°
DX11014	10.070	10.07 ^{+0.4} / _{+0.2}	14.00	6.00	15°	80°	1.0	15°
DX11112	11.070	11.07 ^{+0.5} / _{+0.2}	12.40	4.40	15°	91.5°	2.5	15°
DX11215	12.070	12.07 ^{+0.5} / _{+0.2}	15.00	7.00	15°	90°	1.0	15°
DX11316	13.070	13.07 ^{+0.5} / _{+0.2}	16.50	7.50	20°	62.7°	3.5	15°
DX11420	14.070	14.07 ^{+0.5} / _{+0.2}	20.10	9.10	20°	58°	4.2	15°
DX11520	15.950	15.95 ^{+0.6} / _{+0.2}	20.00	9.70	18°	72.5°	3.2	15°
DX11625	16.070	16.07 ^{+0.6} / _{+0.2}	25.00	12.00	13°	52°	3.5	15°
DX11926	19.125	19.13 ^{+0.6} / _{+0.2}	26.65	12.40	22°	64°	4.2	15°
DX12233	22.300	22.30 ^{+0.6} / _{+0.2}	33.00	16.50	18°	55°	4.8	15°
DX12550	25.470	25.47 ^{+0.6} / _{+0.2}	50.80	25.40	11°	47°	2.8	15°

※注:可按客户要求生产

※ Note:Can be customized according to customer's requirements



DEWEI

3 DEWEI CARBIDE

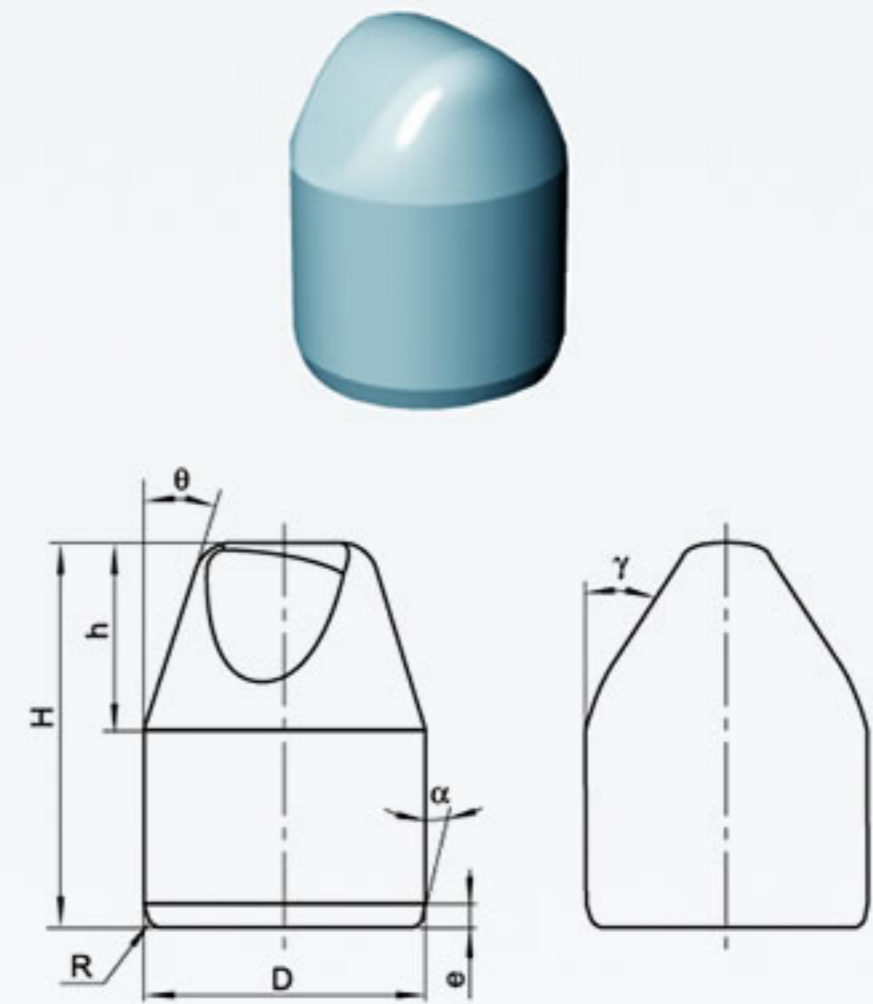
牙轮钻头用硬质合金齿 Carbide Buttons for Tri-cone Bits

边楔齿 Wedge Crested Chisel Button

规格 Type	D		H	h	a	g	q	e
	精品尺寸 Finished Dimension	毛坯尺寸 Blank Dimension						
DB21115	11.070	11.07 $^{+0.5}_{+0.2}$	15.30	5.30	20°	30°	15°	1.20
DB21317	13.070	13.07 $^{+0.5}_{+0.2}$	17.50	6.50	20°	32°	15°	1.20
DB21419	14.335	14.34 $^{+0.5}_{+0.2}$	19.85	9.50	20°	29°	15°	1.25
DB21521	15.950	15.95 $^{+0.5}_{+0.2}$	21.80	10.70	17.5°	32.9°	15°	1.25
DB21931	19.125	19.13 $^{+0.6}_{+0.2}$	31.90	15.25	15°	29°	15°	1.90
DB22026	20.070	20.07 $^{+0.6}_{+0.2}$	26.00	10.00	22°	36°	15°	1.70
DB22231	22.070	22.07 $^{+0.6}_{+0.2}$	31.00	13.00	20°	33°	15°	1.70

※注:可按客户要求生产

※ Note:Can be customized according to customer's requirements

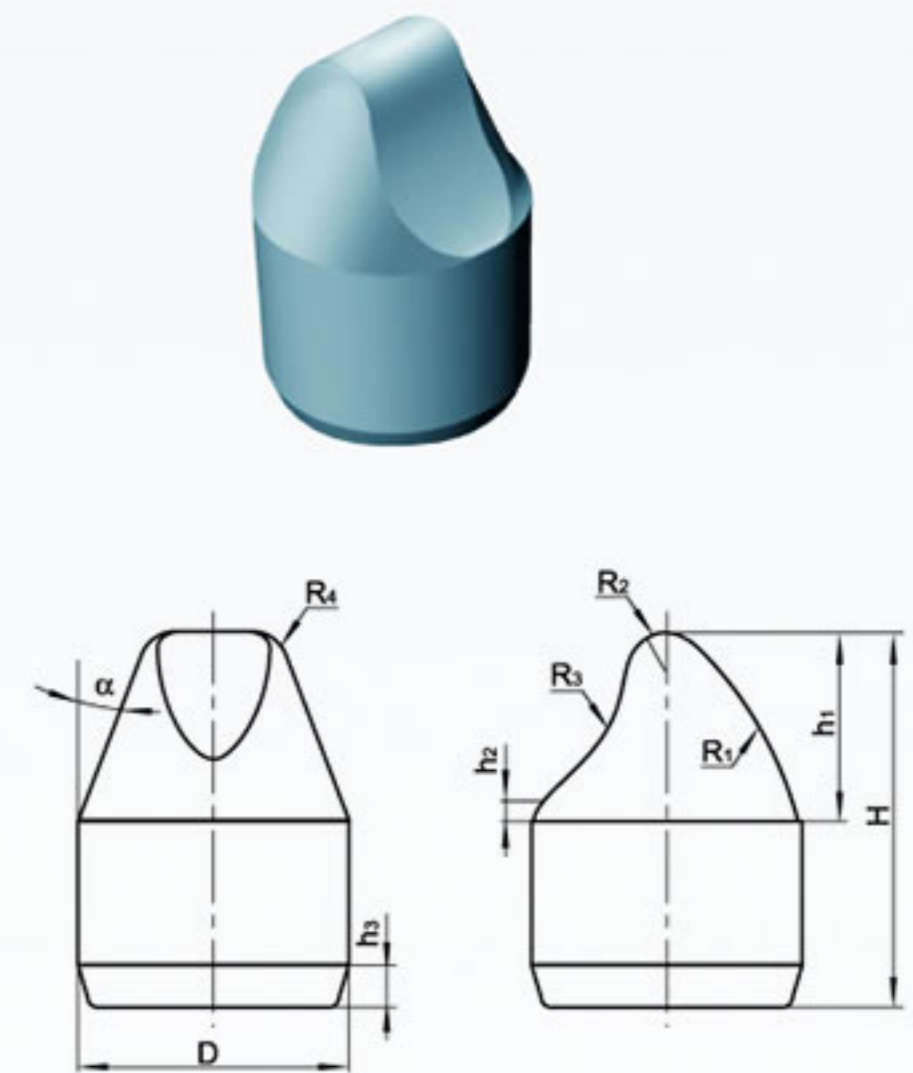


勺型齿 Scoop Button

规格 Type	D		H	h	a	R ₁	R ₂	R ₃
	精品尺寸 Finished Dimension	毛坯尺寸 Blank Dimension						
DS10911	9.070	9.07 $^{+0.4}_{+0.2}$	11.10	4.40	20°	10.0	3.0	20.0
DS11015	10.070	10.07 $^{+0.5}_{+0.2}$	15.20	5.20	25°	20.0	3.0	12.0
DS11116	11.070	11.07 $^{+0.5}_{+0.2}$	16.80	6.30	25°	24.0	3.0	15.0
DS11217	12.070	12.07 $^{+0.5}_{+0.2}$	17.00	6.50	25°	20.0	3.0	20.0
DS11318	13.070	13.07 $^{+0.5}_{+0.2}$	18.20	7.20	25°	6.0	3.6	28.0
DS11523	15.945	15.95 $^{+0.6}_{+0.2}$	23.00	9.95	20°	16.2	3.6	18.9
DS11929	19.135	19.14 $^{+0.6}_{+0.2}$	29.40	11.90	20°	16.1	2.8	22.5
DS12235	22.310	22.31 $^{+0.6}_{+0.2}$	35.30	15.90	15°	24.2	2.8	27.9

※注:可按客户要求生产

※ Note:Can be customized according to customer's requirements

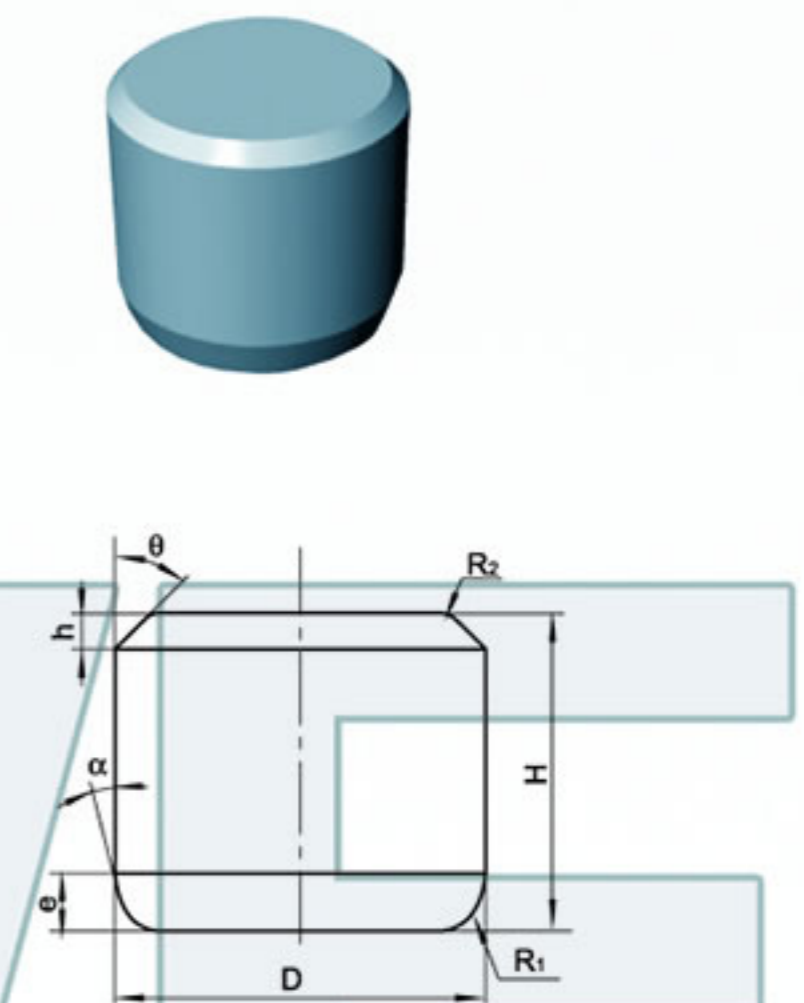


平顶齿 Flat Top Button

规格 Type	D		H	h	q	e	a
	精品尺寸 Finished Dimension	毛坯尺寸 Blank Dimension					
DP10404	4.860	4.86 $^{+0.4}_{+0.2}$	4.20	0.50	45°	0.75	15°
DP10604	6.070	6.07 $^{+0.4}_{+0.2}$	4.80	0.90	45°	1.00	15°
DP10805	8.017	8.02 $^{+0.4}_{+0.2}$	5.00	0.50	45°	1.00	15°
DP10908	9.615	9.62 $^{+0.4}_{+0.2}$	8.03	0.50	45°	1.27	15°
DP11008	10.070	10.07 $^{+0.5}_{+0.2}$	8.00	1.20	45°	1.20	15°
DP11108	11.190	11.19 $^{+0.5}_{+0.2}$	8.74	1.20	45°	1.15	15°
DP11210	12.070	12.07 $^{+0.5}_{+0.2}$	10.00	1.20	45°	1.20	15°
DP11317	13.600	13.0 $^{+0.5}_{+0.2}$	17.85	1.65	60°	1.65	60°
DP11510	15.950	15.95 $^{+0.5}_{+0.2}$	10.55	0.50	45°	1.25	15°
DP11625	16.700	16.70 $^{+0.6}_{+0.2}$	25.00	2.80	60°	2.80	60°
DP12519	25.475	25.47 $^{+0.6}_{+0.2}$	19.05	0.80	45°	1.90	15°

※注:可按客户要求生产

※ Note:Can be customized according to customer's requirements





浙江德威硬质合金制造有限公司

ZHEJIANG DEWEI CEMENTED CARBIDE MANUFACTURING CO.,LTD

地址:中国·浙江·乐清市芙蓉工业区

Add:Furong Industrial Park,Yueqing,Zhejiang,China

电话 (Tel):0086-577-62298508 62298502 62298577

传真 (Fax):0086-577-62298505

邮编 (P.C):325612

Http://www.cn-dewei.com